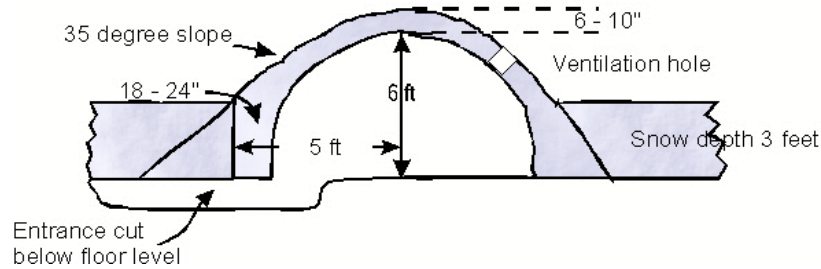


# OA Guide to Snow Shelters

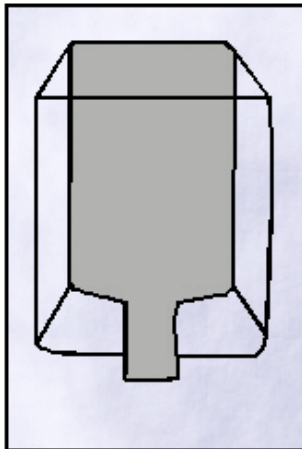
by Rick Curtis

## Snow Mound Shelter - Quin-zhee for 4 people

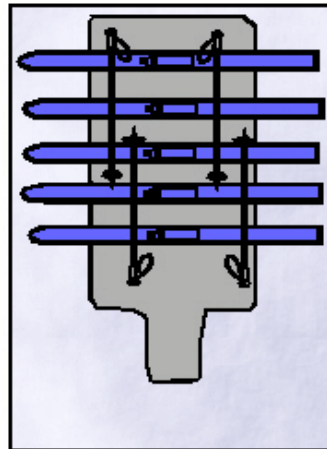


## Snow Trench Shelter

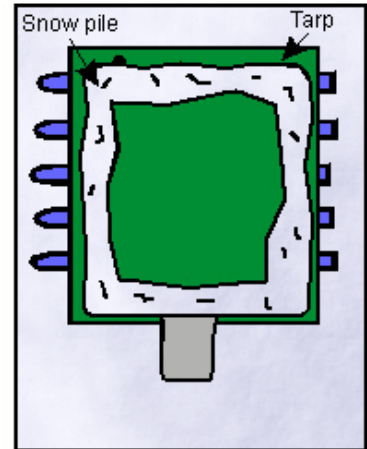
Top view



Dig a trench in the snow. Beveling the walls as you go down makes a bigger sleeping area with a smaller roof opening to cover.

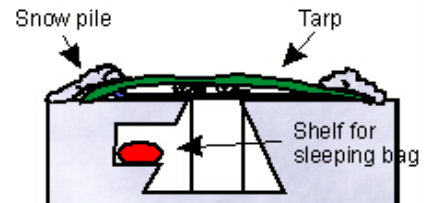
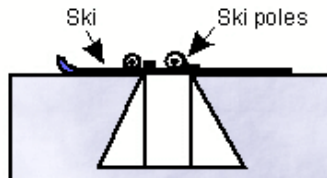
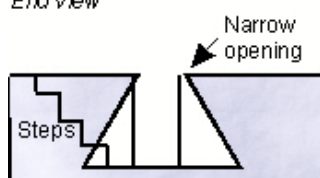


Skis and poles are laid across the trench.

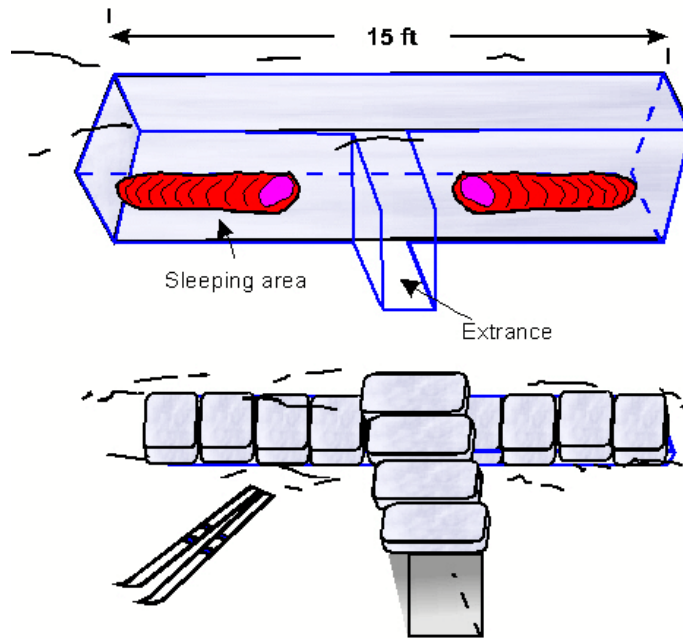


Tarp placed over skis. Snow Piled around perimeter.

End view



### Snow Trench Shelter

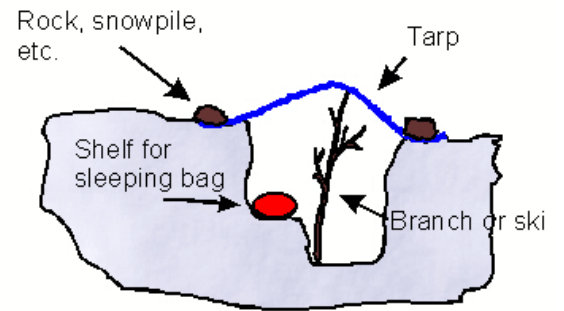


Dig blocks out of the snow to create a T-shaped trench.  
Shape the blocks to create the roof.

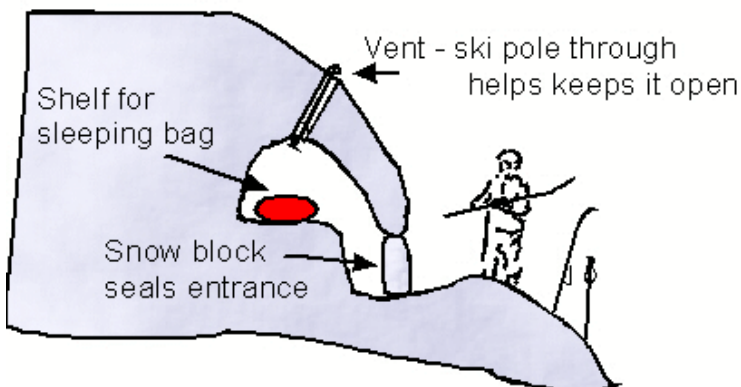
### Snow cave digging under tree branches



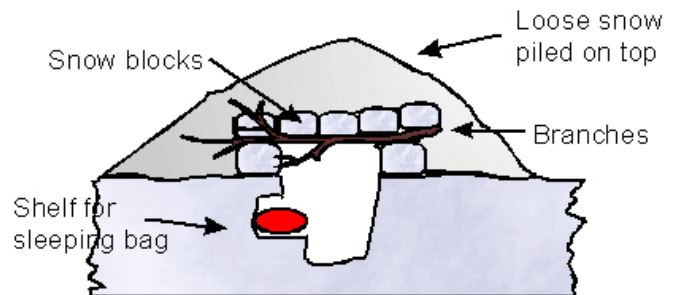
### Snow Trench Shelter



### Snow cave on a slope



### Snow Mound Trench Shelter



# Igloo Construction

